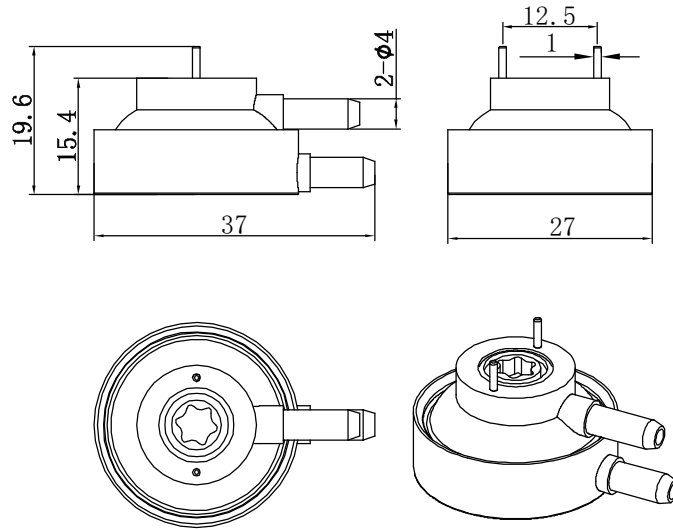


LFS-02

Miniature pressure & vacuum switch



LEFOO



Dimension in:mm

LFS-02 Pressure Switch is designed as an economical interface between pressure systems and Printed Circuit Boards. This switch can be used as a gauge or differential pressure switch with almost no hysteresis. It is applied to detection both positive and negative pressure. Features of this switch include a body design that allows the pressure ports to be rotated, various terminal styles including wire leads.

LFS-02 Order Ref NO

LFS-02 0 0 0 W10 R135 - V90

A B C D E F

A Connection Type:D=Pressure & Vacuum Connection ; 0=Vacuum Connection

B Contact Carrying parts:0=Brass Silver Plated ; G=Brass Golden Plated

C Connection Size:0=4mm OD tube ; B=5mm OD tube

D Wire Lead:0=Without,Wxx=Length of wire lead in inches,i.e.W10=10inch wire lead;Terminal is available on customer's request

E Inlet Rotation:0=Aligned,Rxx=Angle(xx in Degrees) i.e.R135=135 °

F Pressure setting in mbar:i.e. V90=90mbar vacuum, P90=90mbar positive

Specification

Model	LFS-02
Media	Non-hazardous gas only
Electrical Function	1 pole NO
Electrical Rating	250mA,250V~
Ambient Temperature	-10 ℃ to +90 ℃
Electrical Connection	solder pins 1.0mm,12.5mm between away from each other or with different leads and terminals
Pressure Range	Pressure:5-800mbar; Vacuum:5-800mbar
Maximum Pressure	Pressure: 1000mbar; Vacuum:1000mbar
Connection	Inlet 4.0mm or 5.0mm for tube connection

Conversion:1mbar=100Pa 1"W.C=249Pa