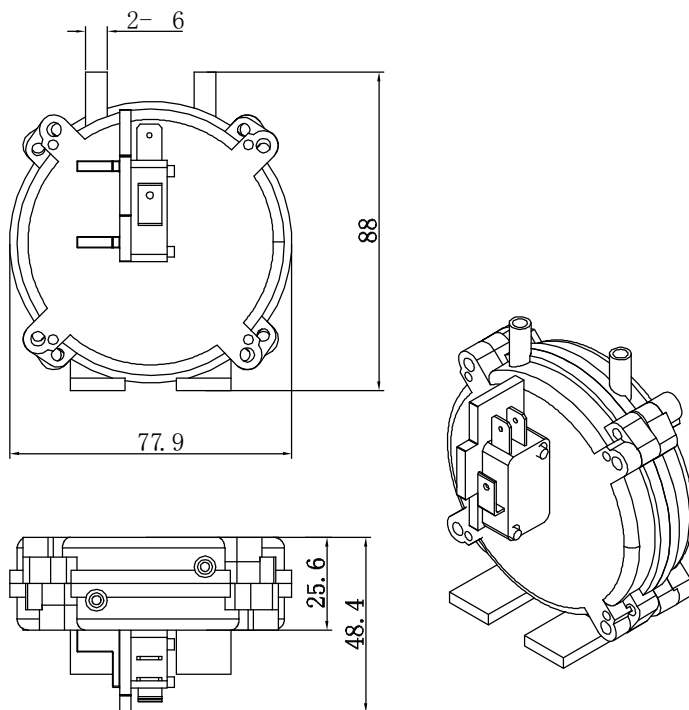


LEFOO

LF30

Air differential pressure switch



Dimension in:mm



The LF30 employs a differential pressure to actuate a precision snap switch at chosen pressure setting. This may be the difference between atmospheric and a negative or positive pressure or between any two given pressures. When a change of pressure occurs between the negative pressure chamber and the positive pressure chamber the main diaphragm activates the snap switch at a pre-determined value.

LF30 Order Ref NO

LF30 -4 1 1 1 -P70Pa-100Pa

A B C D Pressure setting in pa:P=Positive V=Vacuum
ON:100Pa OFF:70Pa

Number	Electrical Rating	Terminals	Mounting/Fixing	Orifice
0	/	/	none	none
1	0.1A,125/250VAC	B 6.3×0.8mm	C with bracket	D with orifice
2	3A,125/250VAC	4.8×0.5mm	/	/
3	5A,125/250VAC	/	/	/
4	A 15A,125/250VAC	/	/	/

Specification

Model	LF30
Media	Air,products of combustion or natural gas
Mounting/Fixing	4 screws with maximum penetration depth of 6.3mm into appropriate mounting holes,or fixed with optional bracket
Mounting Position	The LFAS is position sensitive.It may be mounted in most positions provided it has been calibrated
Pressure Range	0.4mbar~8.0mbar make on positive or negative pressure rise.Minimum upper switching pressure 0.4mbar.Minimum lower switching pressure 0.2mbar
Switch Differential	Not less than 0.1mbar and not greater than 0.3mbar depending on pressure settings
Maximum Operating Pressure	10mbar Pmax=50mbar
Operating Temperature Range	105℃ Maximum
Electric Rating	0.1A、5A、16A、125/250VAC. other ratings are available on request
Contact Arrangement	SPDT or SPST
Terminal	6.3 or 4.8mm male Q.C. Optional insulation cover available as necessary.
Calibration Tolerance	Standard production tolerance at ambient temperature is ±0.10mbar or ±5% of set point,whichever is the greater.

Conversion:1mbar=100Pa 1"W.C=249Pa

www.lefoo.com