

LF10-W Water Pressure Switch

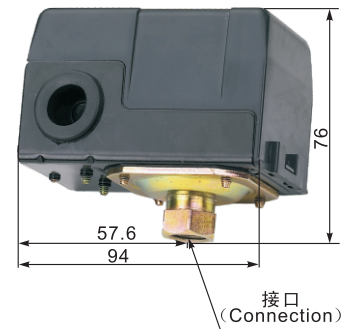
LEFOO

LF10-W pressure switch provide time tested, reliable control for automatic water systems. The switch is universally acceptable for use as original equipment on water pumps or pumping systems. LF10-WR can prevent the pump from starting whenever the system falls considerable below cut-in pressure. Upon the restorations of the water supply, it will automatically cut-in. A manual reset lever is depressed until a build up of system pressure permits automatic operation. Its simple design makes it easy to use for professionals and nonprofessionals alike.



Specification

Model	LF10-WS(LF10A-WS)		
Media	Water	Water	Water
Operating Pressure Range	15-80PSI	30-100PSI	35-150PSI
Factory Setting	20-35PSI	30-50PSI	85-115PSI
Differential	15-30PSI	20-35PSI	30-40PSI
Electrical Rating	LF10-WS:240VAC,12A/120VAC,20A		
	LF10A-WS:240VAC,26A/120VAC,26A		
Contact Arrangement	Normal Close(NC)	Normal Close(NC)	Normal Close(NC)
Connection	1/4NPT Male or Female	1/4NPT Male or Female	1/4NPT Male or Female



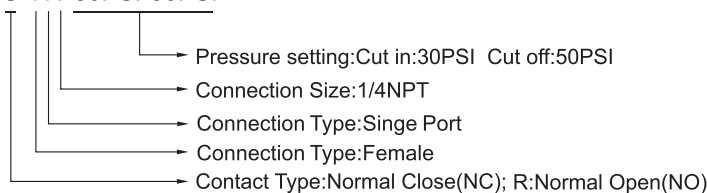
Model	LF10-WR(LF10A-WR)		
Media	Water	Water	Water
Operating Pressure Range	80-15PSI	100-30PSI	150-35PSI
Factory Setting	50-30PSI	100-75PSI	125-95PSI
Differential	17-30PSI	25-30PSI	30-45PSI
Electrical Rating	LF10-WR:240VAC,12A/120VAC,20A		
	LF10A-WR:240VAC,26A/120VAC,26A		
Contact Arrangement	Normal Open(NO)	Normal Open(NO)	Normal Open(NO)
Connection	1/4NPT Male or Female	1/4NPT Male or Female	1/4NPT Male or Female



Conversion: 1Kgf/cm² = 14.2PSI 1Bar=14.5PSI Other connections are available on request.

LF10-WS and LF10-WR Order Ref No:

i.e.: LF10(A)-WS-111-30PSI-50PSI



尺寸单位: mm
(Dimension in mm)

Number	Connection Type		Connection Size
0	/	/	/
1	Single port	Female	1/4NPT
2	/	Male	3/8NPT
3	/	/	R1/4
4	/	/	R3/8
5	/	/	G1/4
6	/	/	G3/8
7	/	/	NPT1/4 Long Male
8	/	/	G1/4 Bolt Connection